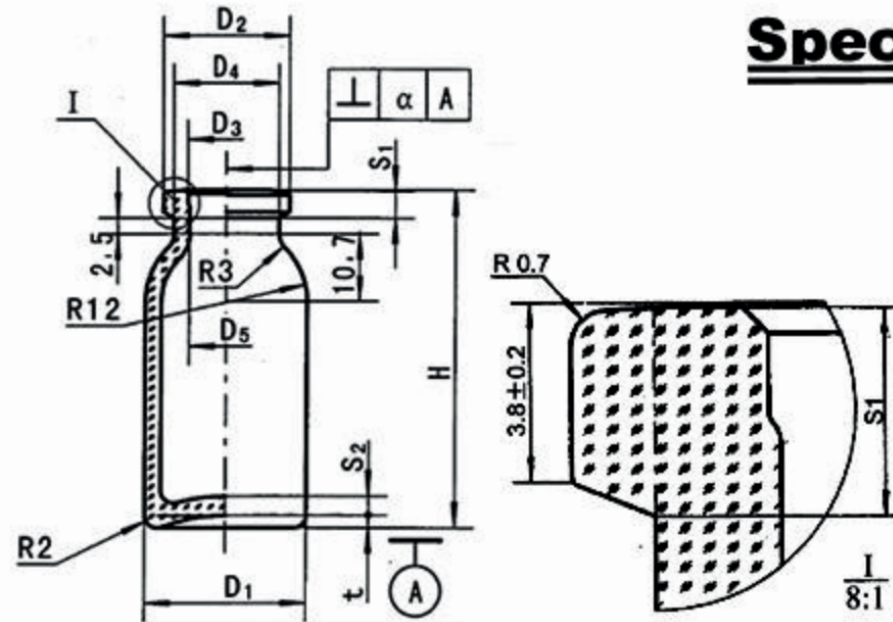


# Specification Sheet

SPEC. 【10ml】 Dimension in mm			
ITEM		BASIC	TOL.
Total Height	H	53.5	+0.50, -0.60
OD of body	D1	25.4	+0.35, -0.40
OD of lip	D2	20	+0.10, -0.30
ID of lip	D3	12.70	+/-0.20
OD of neck	D4	≤17.0	
ID of neck	D5	≥11.5	
Finish Height	S1	4.2	+/-0.20
Thickness of bottom	S2	3	+1.0, -1.50
Vertical axle deviation a		≤1.4	
Overflow capacity (ml)		≈15.0	
Mass (g)		≥18.5	
t		≈1	



Ref. No.: #110101

Glass : USP Type II,III

Color: (Amber and Clear)

## Moulded injection vial for antibiotic: (Amber and Clear)

1. Quality Standard: Complying with the norm SFDA YBB00312002.
2. Material: Soda-Lime-Silica Glass
3. Glass Type: USP type II, III
4. Packing: Shrink wrapped first, then packed with carton, or customized
5. Performance: Hydrolytic Resistance shall comply with the requirements special for one of the following classes: ISO 4802-HC2, HC3. Internal pressure resistance shall withstand an internal pressure of 600kPa when tested. Thermal shock resistance shall withstand a thermal shock when subjected to a temperature difference of  $\Delta^{\circ}\text{C}$  42 in accordance with ISO7459.