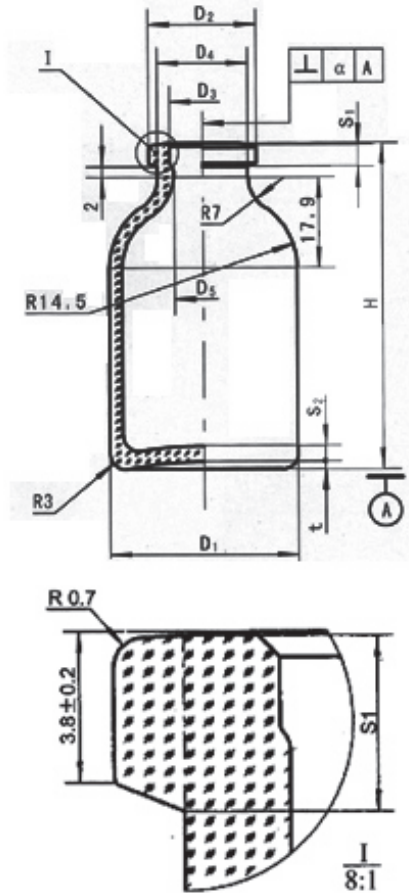


SPEC. 【30ml】 Dimension in mm			
ITEM		BASIC	TOL.
Total Height	H	62.8	+0.60, -0.70
OD of body	D1	36	+0.40, -0.50
OD of lip	D2	20	+0.10, -0.30
ID of lip	D3	12.6	+/-0.20
OD of neck	D4	≤17.0	
ID of neck	D5	≥11.5	
Finish Height	S1	4.2	+/-0.20
Thickness of bottom	S2	3	+/-1.50
Vertical axle deviation		≤1.6	
Overflow capacity (ml)		≈38.0	
Mass (g)		≥34.5	
t		≈1.5	



Specification Sheet

Ref. No.: #110301

Glass : USP Type II,III

Color: (Amber and Clear)

Moulded injection vial for antibiotic: (Amber and Clear)

1. Quality Standard: Complying with the norm SFDA YBB00312002.
2. Material: Soda-Lime-Silica Glass
3. Glass Type: USP type II, III
4. Packing: Shrink wrapped first, then packed with carton, or customized
5. Performance: Hydrolytic Resistance shall comply with the requirements special for one of the following classes: ISO 4802-HC2, HC3. Internal pressure resistance shall withstand an internal pressure of 600kPa when tested. Thermal shock resistance shall withstand a thermal shock when subjected to a temperature difference of $\Delta^{\circ}\text{C}$ 42 in accordance with ISO7459.