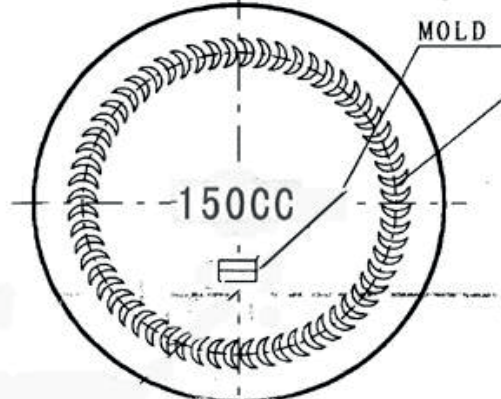


Thickness of bottom: 4 ± 2

CRESCENT STIPPLE ON BEARING SURFACE



Filling Cap.:	150 ± 4ml	DES'D by	Guo Chuan Wei		Finish	45mm Tablet
			Date:	2010-3-17		
Brimful Cap.:	≈ 170ml	CHK'D by	Zhai Feng Wei		Material	Glass bottle , Type III
			Date:	2010-3-17		
Weight:	122 ± 10g	APP'D by			eRRe	Cam Şişe Ambalaj
			Date:			