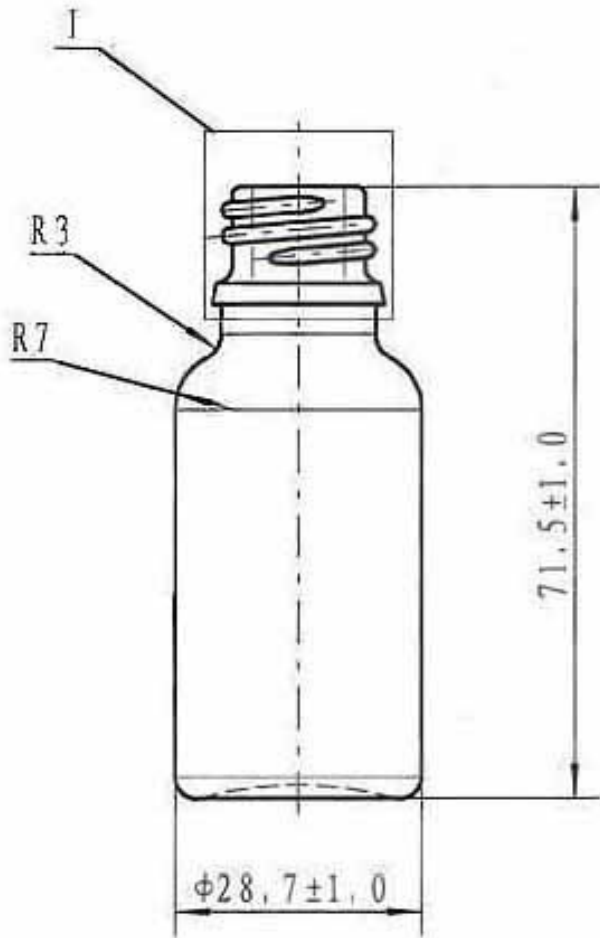
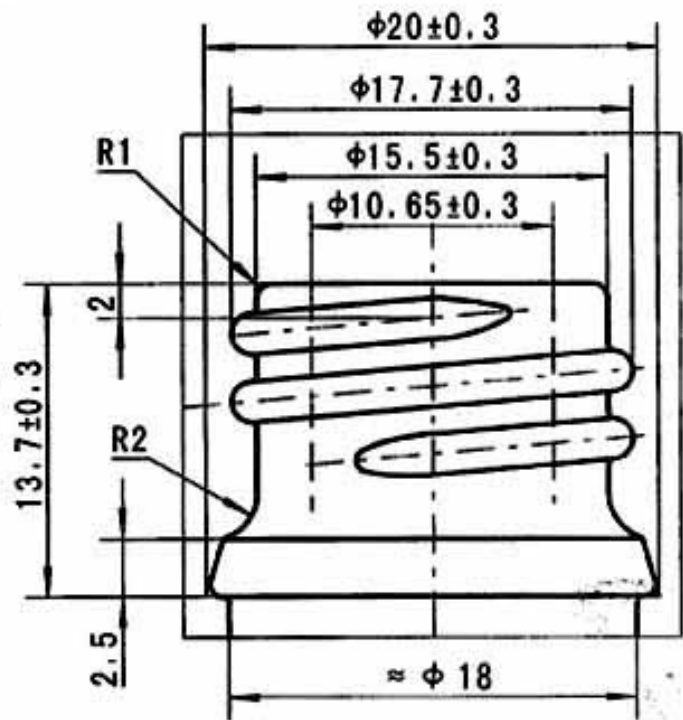
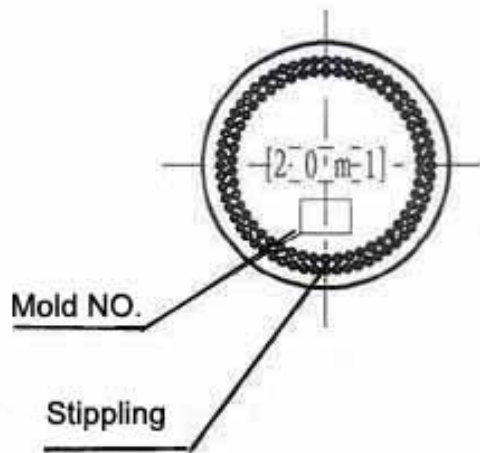


Specification sheet



Screw-pitch: 3
 Screw-breadth: 1.8
 Screw-thread: 2.2



Filling Cap.:	20ml	DES'D by		REF. NO.:	490201
		Date:		DRG. NO.:	20
Brimful Cap.:	22.5±2ml	CHK'D by		Material	Type III
		Date:			Made of Soda-lime Silica Glass
Weight:	Aroud 35g	APP'D by		<i>eRRe</i> Cam Şiše Ambalaj	
		Date:			