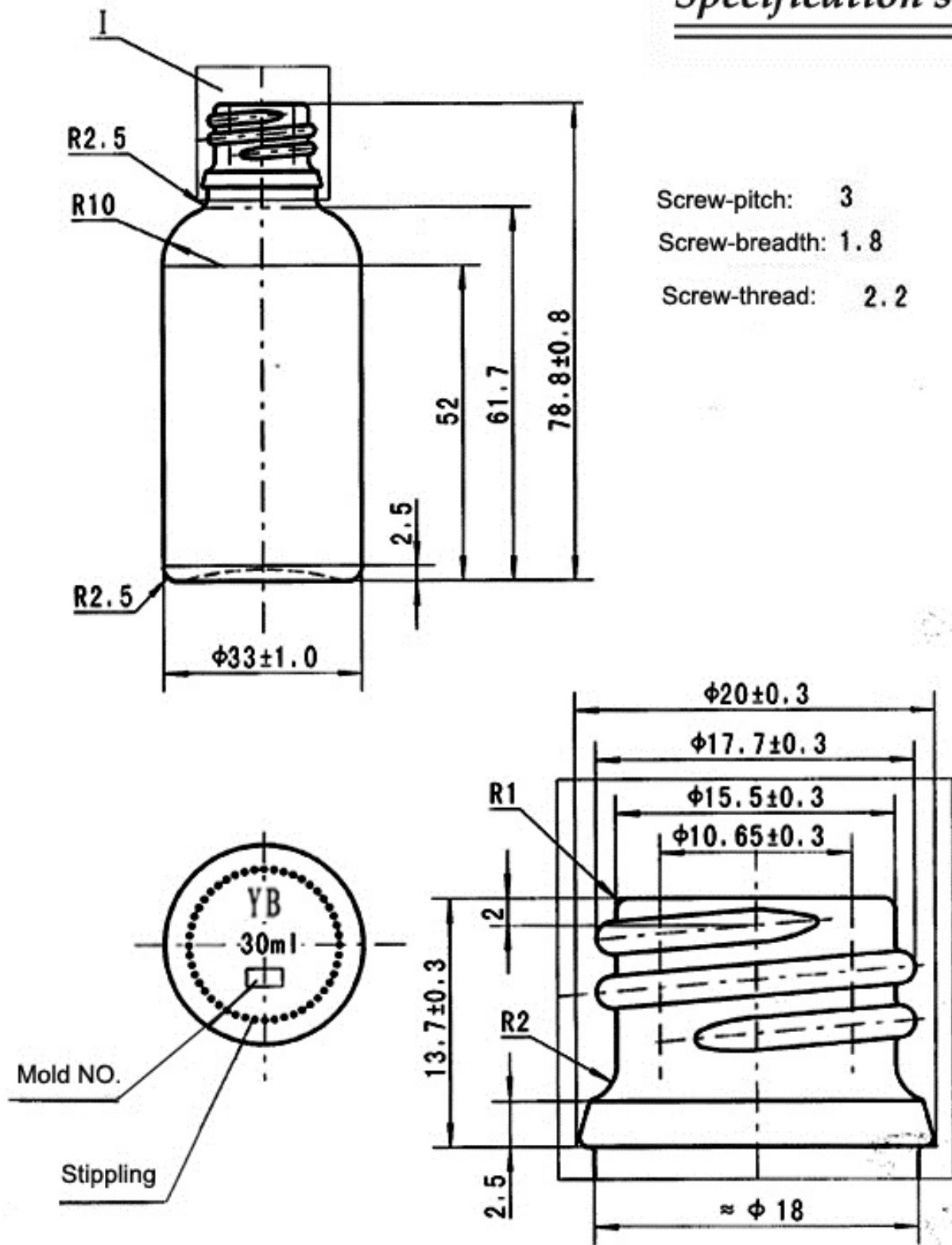


Specification sheet



| | | | | | |
|---------------|---------------|----------|--|------------------------------|--------------------------------|
| Filling Cap.: | 30ml | DES'D by | | REF. NO.: | 490301 # |
| | | Date: | | DRG. NO.: | 30ZMD |
| Brimful Cap.: | 35 ± 2 ml | CHK'D by | | Material | Essence oil bottle, Type III |
| | | Date: | | | Made of Soda-lime Silica Glass |
| Weight: | Around 48g | APP'D by | | <i>eRRe</i> Cam Şişe Ambalaj | |
| | | Date: | | | |