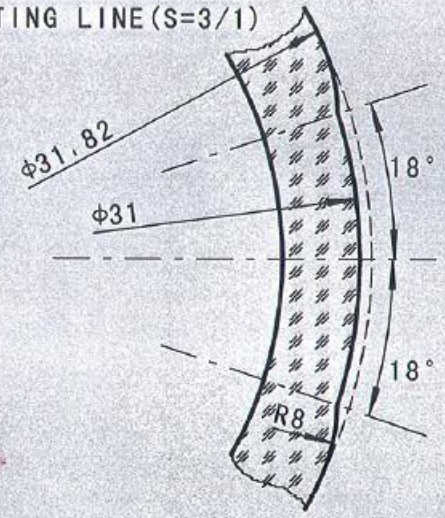
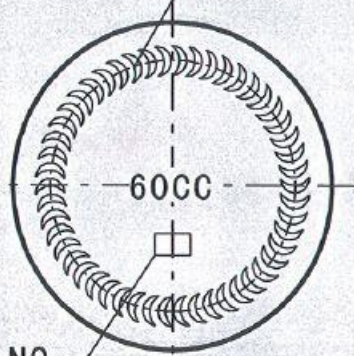


THREAD'S DETAIL ON PARTING LINE (S=3/1)



CRESCENT STIPPLE ON BEARING SURFACE



MOLD NO.

Filling Cap.:	60 ± 3ml	DES'D by	Guo Chuan Wei		Finish	33mm Tablet
			Date:	2010-3-17		
Brimful Cap.:	≈ 69ml	CHK'D by	Zhai Feng Wei		Material	Glass bottle , Type III
			Date:	2010-3-17		
Weight:	73 ± 7.5g	APP'D by			eRRe	Cam Şişe Ambalaj
			Date:			