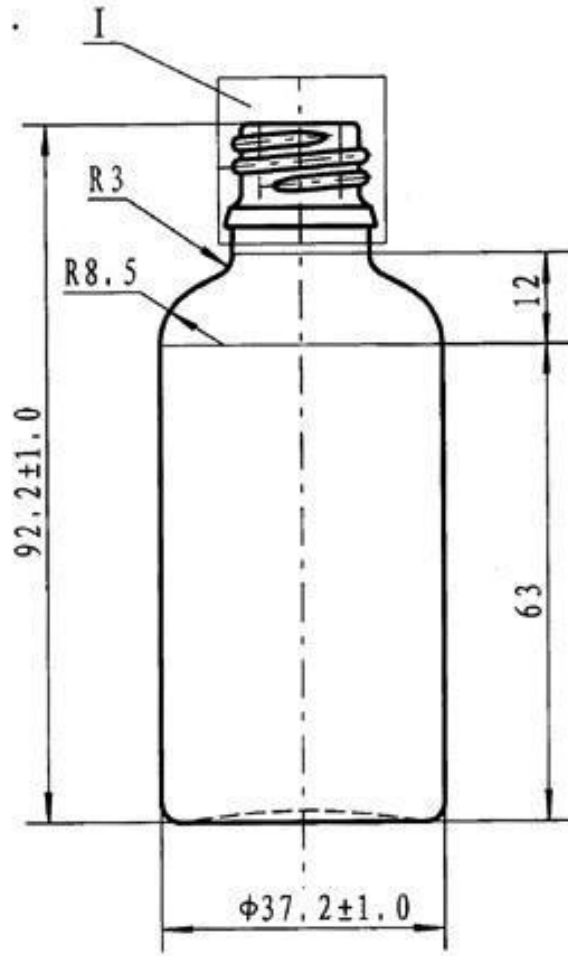
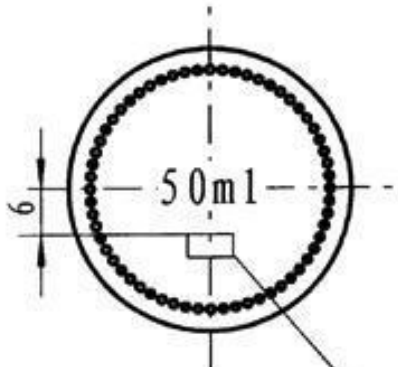


Specification sheet

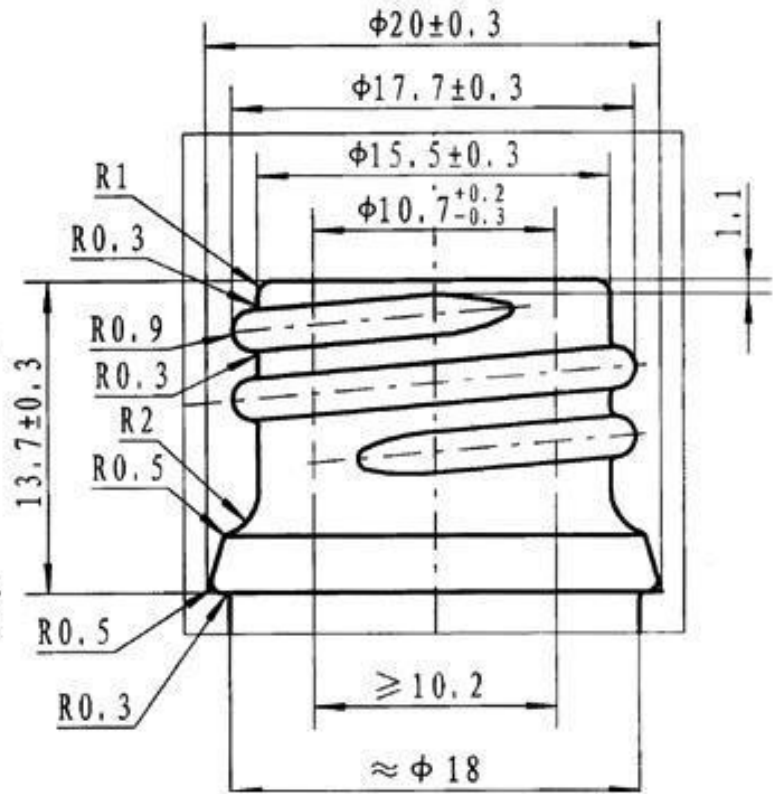


Screw-pitch: 3
 Screw-breadth: 1.8
 Screw-thread: 2.2



Mold NO.

H3.0, W2.5, D0.5, Space 0.8



Filling Cap.:	50ml	DES'D by		REF. NO.:	490501 #
		Date:		DRG. NO.:	50ZMD
Brimful Cap.:	57±4ml	CHK'D by		Material	Essence oil bottle, Type III
		Date:			Made of Soda-lime Silica Glass
Weight:	58±3g	APP'D by		Cam Şişe Ambalaj	
		Date:			