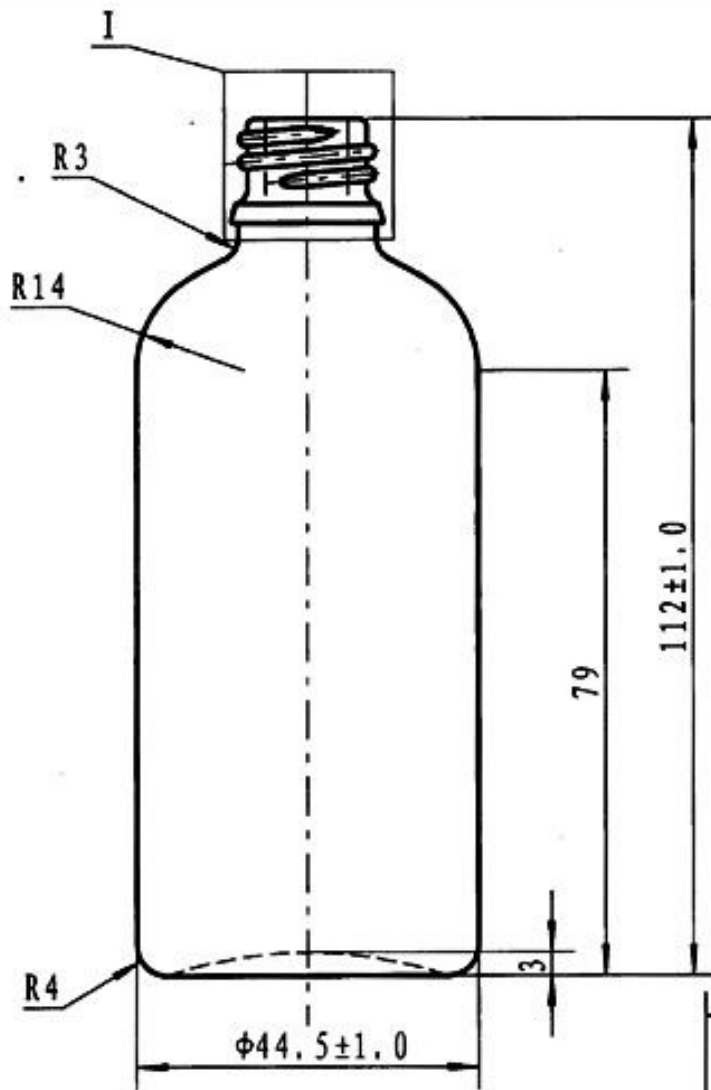
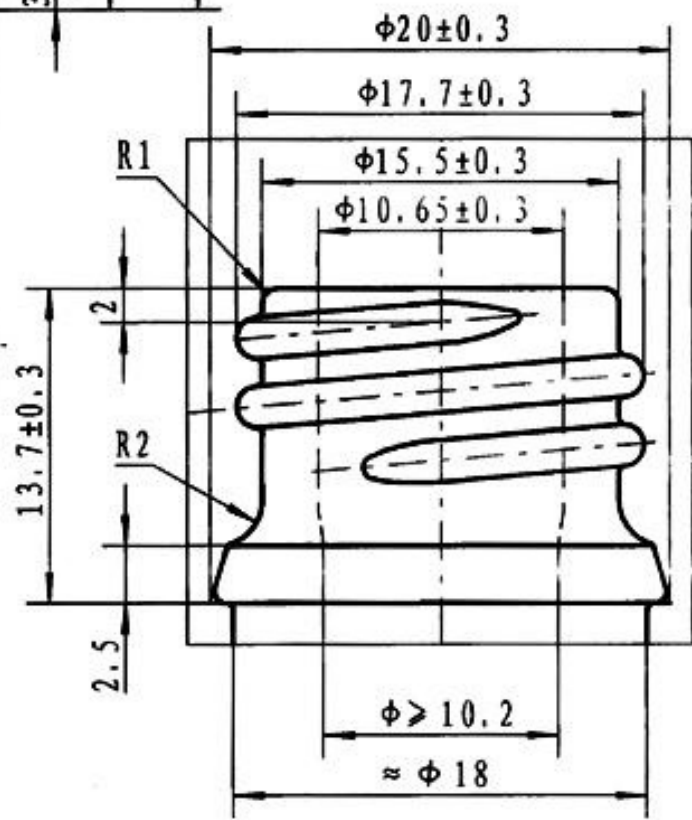
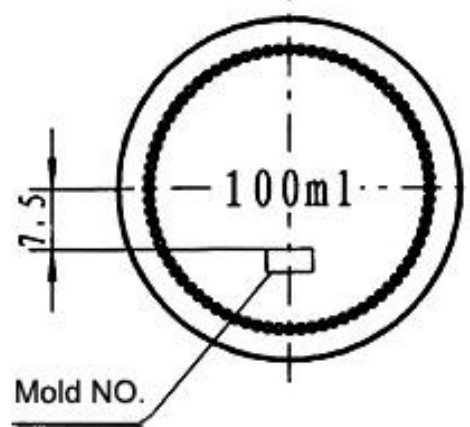


Specification sheet



Screw-pitch: 3
 Screw-breadth: 1.8
 Screw-thread: 2.2



Filling Cap.:	100ml	DES'D by		REF. NO.:	491001 #
		Date:		DRG. NO.:	100ZMD
Brimful Cap.:	105±3ml	CHK'D by		Material	Essence oil bottle, Type III
		Date:			Made of Soda-lime Silica Glass
Weight:	Around 88g	APP'D by		Cam Şişe Ambalaj	
		Date:			